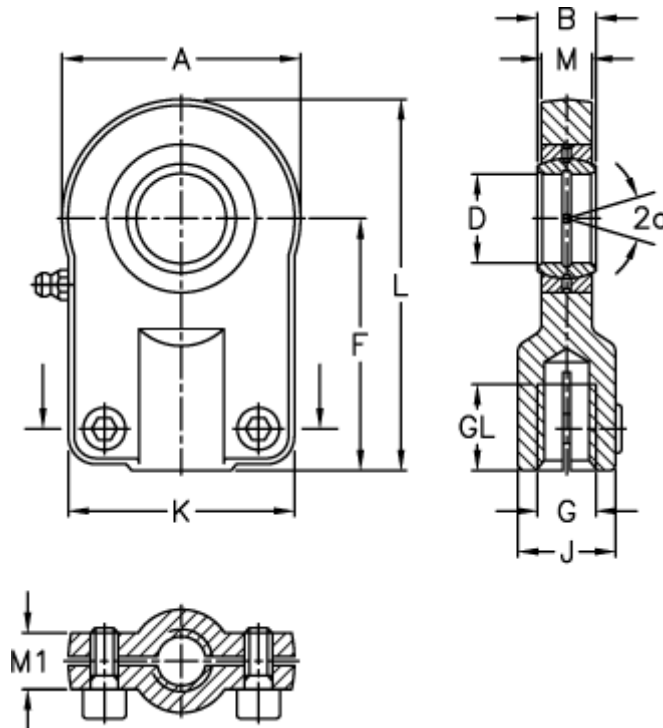


Article number: 03550100

Description: Fluro hydraulic rod end FPR 100S

## Measures



A	= 240	J	= 110
a (degrees)	= 6	K	= 190
B	= 70	L	= 360
D	= 100	M	= 57
Dynamic load C (kN)	= 610	M1	= 57
F	= 240	Static load C0 (kN)	= 865
g	= M64x3	Torque (N m)	= 710
GL	= 86	Weight	= 28000